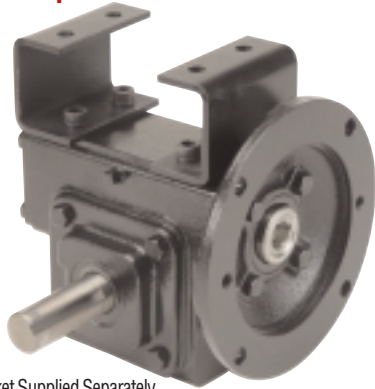


# Hanger Mounting Kits

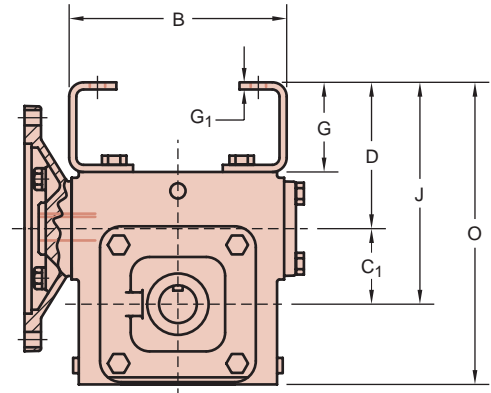
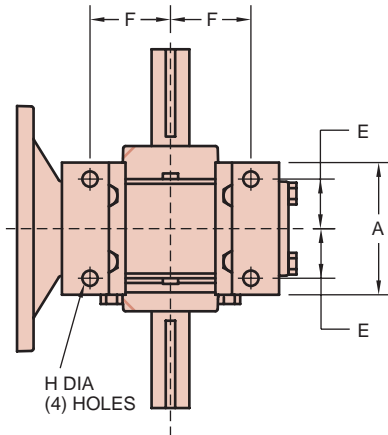
**Hanger (H)**  
**Quill Input Adaptor**  
**Solid & Hollow Output Shafts**  
**Bracket Mount**



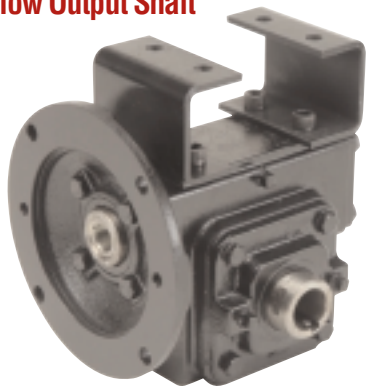
## MDNS Shown With Mounted (H) Bracket Kit Solid Output Shaft



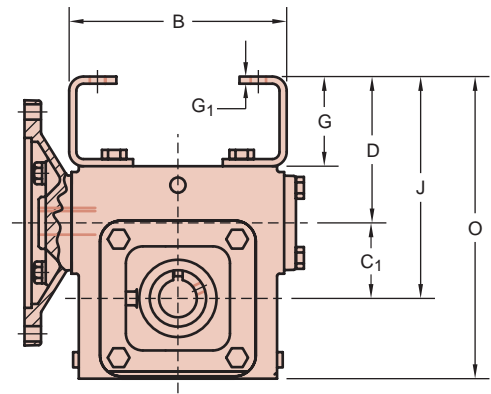
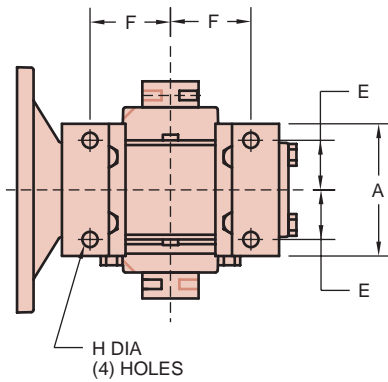
◆ Bracket Supplied Separately



## MDSS Shown With Mounted (H) Bracket Kit Hollow Output Shaft



◆ Bracket Supplied Separately



## SPEED REDUCER DIMENSIONS (in.)

Size	A	B	C <sub>1</sub>	D	E	F	G	G <sub>1</sub>	H	J	O	Kit #	Kit lb.*
E17	3.38	5.75	1.750	3.88	.88	1.94	2.38	.19	.390	5.63	7.75	BK9998115	3
E20	3.50	5.88	2.000	3.88	.88	2.19	2.38	.19	.390	5.88	8.00	BK9998116	5
E24	4.13	7.75	2.375	4.50	1.13	2.19	2.50	.25	.515	6.88	9.75	BK9998117	6
E26	4.13	8.25	2.625	4.63	1.13	2.44	2.50	.25	.515	7.25	10.38	BK9998117	6
E30	5.50	8.88	3.000	5.50	2.19	3.31	3.00	.25	.531	8.50	12.00	BK9998124	8
E35	5.02	9.25	3.500	5.00	1.31	3.25	2.38	.31	.656	8.50	12.50	BK9998125	9

\* Approximate shipping weights

