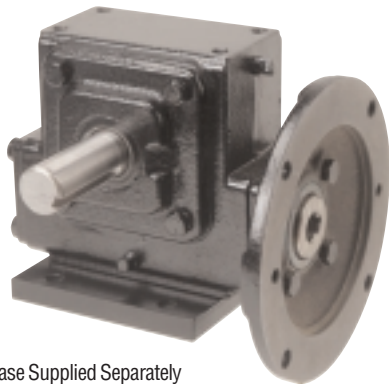


Worm on Bottom Mounting Kits

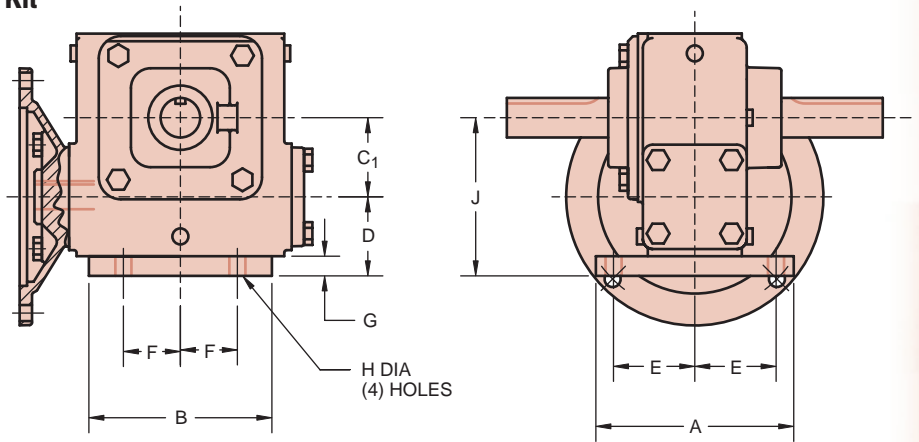
**Worm on Bottom (B)
Quill Input Adaptor
Solid & Hollow Output Shafts
Base Mount**



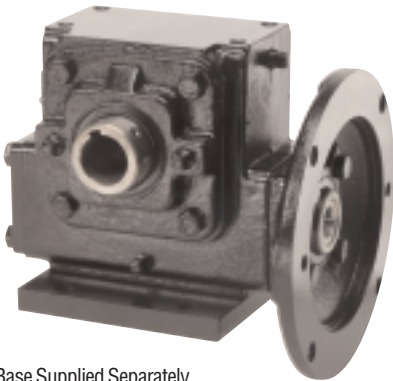
**MDNS Shown With Mounted (B) Base Kit
Solid Output Shaft**



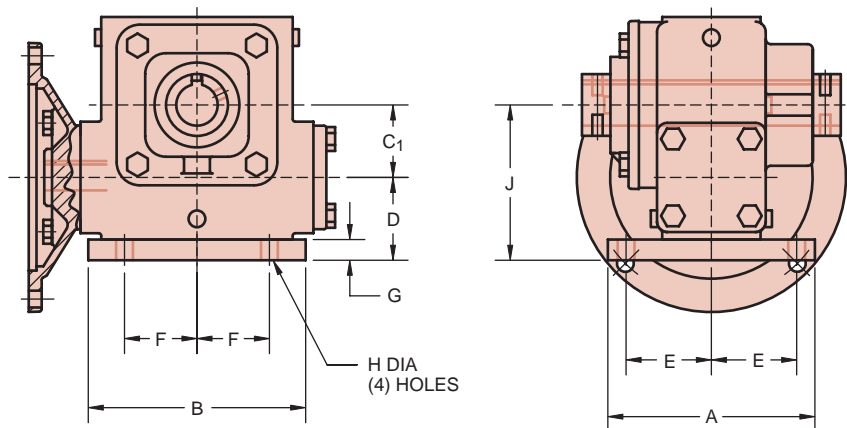
◆ Base Supplied Separately



**MDSS Shown With Mounted (B) Base Kit
Hollow Output Shaft**



◆ Base Supplied Separately



SPEED REDUCER DIMENSIONS (in.)

Size	A	B	C ₁	D	E	F	G	H	J	Kit #	Kit lb.*
E13*	3.50	5.00	1.333	1.63	1.38	2.13	.38	.281	2.96	BK9998004	2
E17	5.00	4.63	1.750	2.00	2.06	1.44	.50	.406	3.75	BK9998000	3
E20	5.00	4.63	2.000	2.00	2.06	1.44	.50	.406	4.00	BK9998000	3
E24	5.00	7.00	2.375	2.38	2.00	3.00	.38	.406	4.75	BK9998011	3
E26	4.75	7.00	2.625	2.50	2.00	3.00	.38	.406	5.13	BK9998015	3
E30	6.00	8.00	3.000	3.00	2.38	3.50	.50	.563	6.00	BK9998018	7
E35	6.50	10.00	3.500	3.13	2.63	4.13	.50	.563	6.63	BK9998034	10
E43	7.00	11.00	4.250	3.50	2.88	4.88	.63	.563	7.75	BK9998109	14

* Not available in MDSS hollow output. ■ Approximate shipping weights



2D DRAWINGS & 3D MODELS
www.WINSMITH.com

